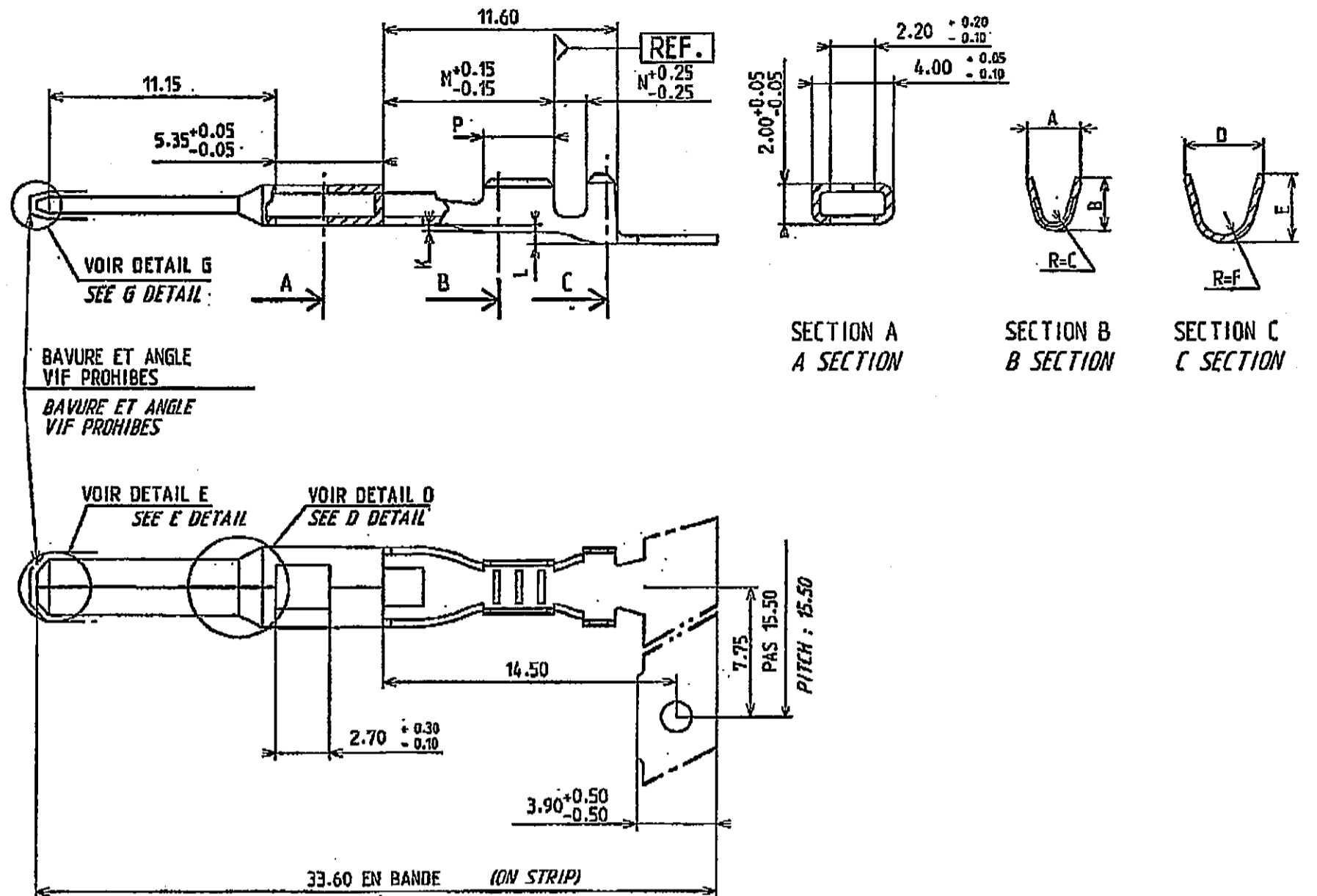
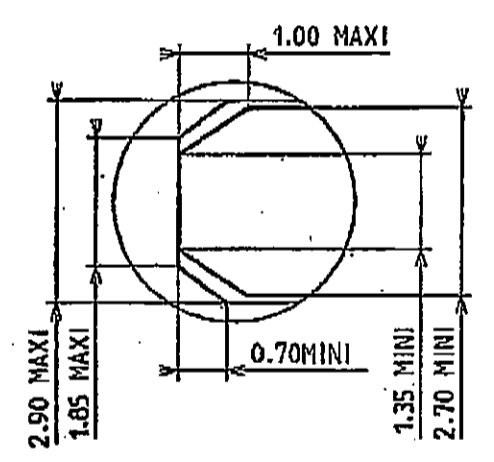
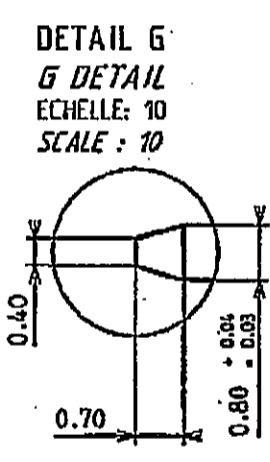
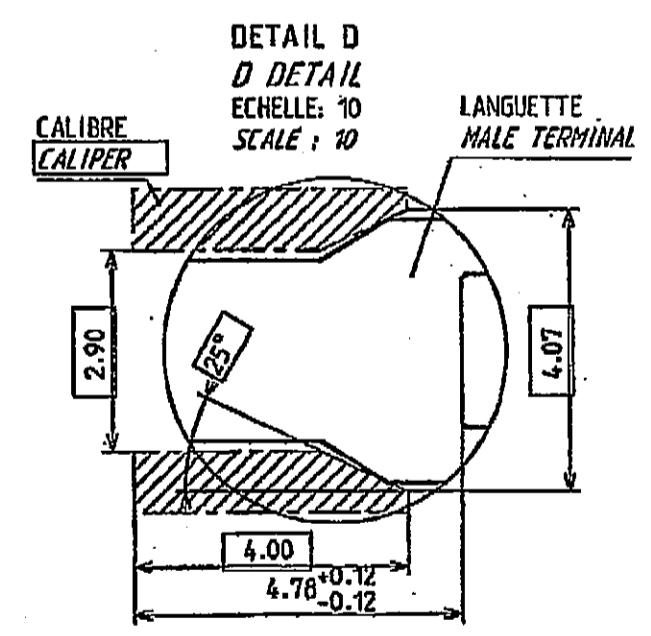


STRICTLY CONFIDENTIAL



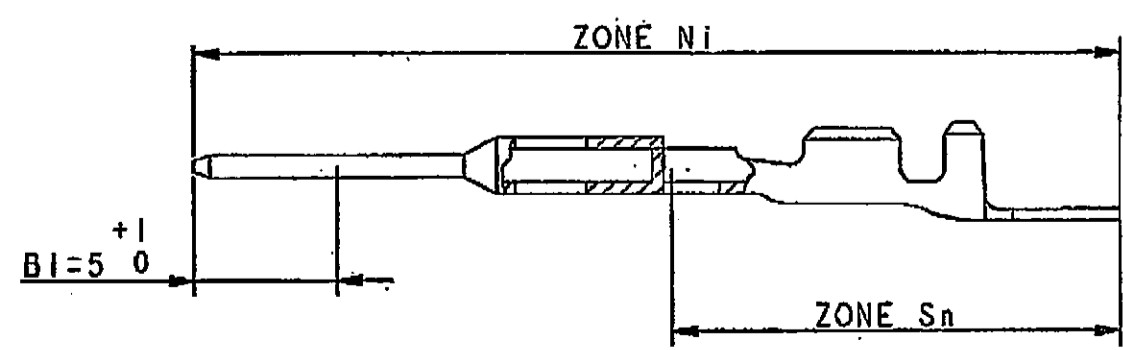
| STATE | REFERENCES | | | | | | MATERIAL | CLASSE |
|------------------------------|-------------|----------|------------|----------|------------|----------|-----------|----------|
| | UNSEALED | SWS | UNSEALED | SWS | UNSEALED | SWS | | |
| Pre-Tinned | 17062100 | 17062300 | 17062110 | 17062310 | 17062120 | 17062320 | CuSn 0.15 | 125/155° |
| Post-Gilded 0.2 u int/ext | 17062104 | 17062304 | 17062114 | 17062314 | - | - | | |
| Section | 0.35 - 0.75 | | 1 - 2.5 | | 3.0 - 5.0 | | | |
| ∅ Insulation | 1.3 to 2.1 | | 2.0 to 3.0 | | 3.2 to 4.0 | | | |
| A | 2.5 | | 4.0 | | 4.8 | | | |
| B | 2.65 | | 4.0 | | 4.7 | | | |
| C±0.10 | 0.60 | | 1.0 | | 1.25 | | | |
| D±0.30 | 3.90 | | 5.50 | | 6.65 | | | |
| E | 4.00 | | 4.80 | | 6.10 | | | |
| F | 1.10 | | 1.60 | | 1.90 | | | |
| K | -0.30 | | 0.00 | | 0.50 | | | |
| L | 0.25 | | 0.70 | | 1.10 | | | |
| M | 8.55 | | 8.65 | | 8.75 | | | |
| N | 1.60 | | 1.65 | | 1.60 | | | |
| P | 3.55 | | 3.60 | | 3.60 | | | |



| PROTECTION OR / GOLD PLATING | | | | | |
|---|--------------|-------------------------|-----------------------|--------------|-------|
| Pitch of the strip = 15.50 - 64 terminals per meter | | | | | |
| Reference | Area | Ni B | Sn | Thickness Au | |
| | | | | cominal | mil |
| 17062xx4 | BI (INT/EXT) | 0.5 5 μMIN 5 μMAX | 3 5 μMIN 5 μMAX | 0.25μ | 0.20μ |

ZONE ET DIMENSIONS VALABLES POUR TOUTES REFERENCES
 AREA AND DIMENSIONS ARE VALID FOR ALL REFERENCES

INDICE PIECE=INDICE MAJEUR PLAN
 PART REVISION LEVEL=REVISION MAJOR DRAWING



| | | | | | |
|---|--------------|---|--|--|--|
| 023-08 | 16-05-08 | A01 | UPDATED TABLES | | <i>[Signature]</i> |
| ECH-NO. NUMERO - ECH | DATE DATA | DD / MM / YY | REVISION REVISIONE | POSITION POSIZIONE | CHANGE DESCRIPTION DESCRIZIONE MODIFICA |
| PRODUCT SPEC. SPEC. DI PRODOTTO | | PACKAGING SPEC. SPEC. DI IMBALLAGGIO | | APPLICATION SPEC. SPEC. DI APPLICAZIONE | |
| TOLERANCES TOLLERANZE ± 0.2 mm. I ± ? | | | MATERIAL : MATERIALE : SEE TABLE | | SURFACE FINISH FINITURA SUPERFICIALE |
| DO NOT SCALE DRAWING DISEGNO FUORI SCALA | | DATE DATA | | LOC. CODE NAZIONALITA' IT | |
| DRAWN BY DISEGNATORE | | DATE DATA | | TITLE DESCRIZIONE | |
| CHECKED BY CONTROLLATO | | DATE DATA | | DRAWING NUMBER NUMERO DISEGNO | |
| APPROVED BY APPROVATO | | DATE DATA | | DRAWING NUMBER NUMERO DISEGNO | |
| DRAWN BY DISEGNATORE | | DATE DATA | | TITLE DESCRIZIONE | |
| CHECKED BY CONTROLLATO | | DATE DATA | | DRAWING NUMBER NUMERO DISEGNO | |
| APPROVED BY APPROVATO | | DATE DATA | | DRAWING NUMBER NUMERO DISEGNO | |

DRAWN BY: F. Girard
 CHECKED BY: G. Barrot
 APPROVED BY: M. Colombo
 DATE: 17-12-07
 TITLE: SICMA 2
 2.8 x 0.8 MALE TERMINAL
 DRAWING NUMBER: FSD 310155
 SHEET: 1 of 1
 SCALE: 4:1

Mouser Electronics

Authorized Distributor

Click to View Pricing, Inventory, Delivery & Lifecycle Information:

[Aptiv:](#)

[17062100](#) [17062110](#) [17062120](#) [17062100-L](#)